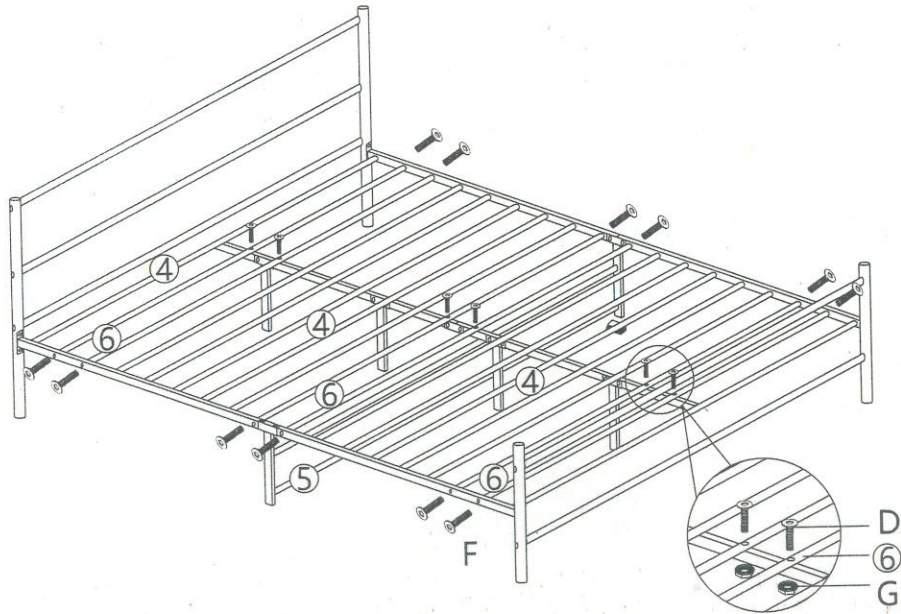
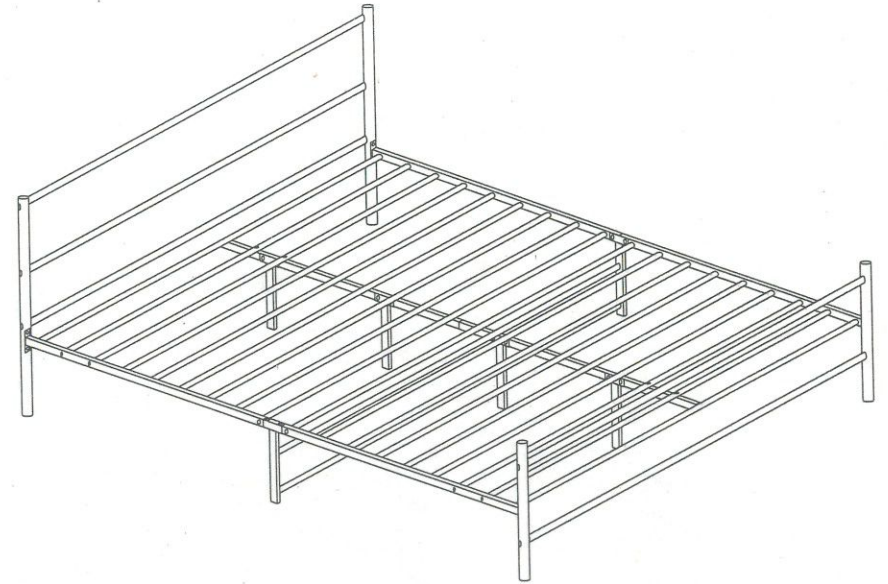
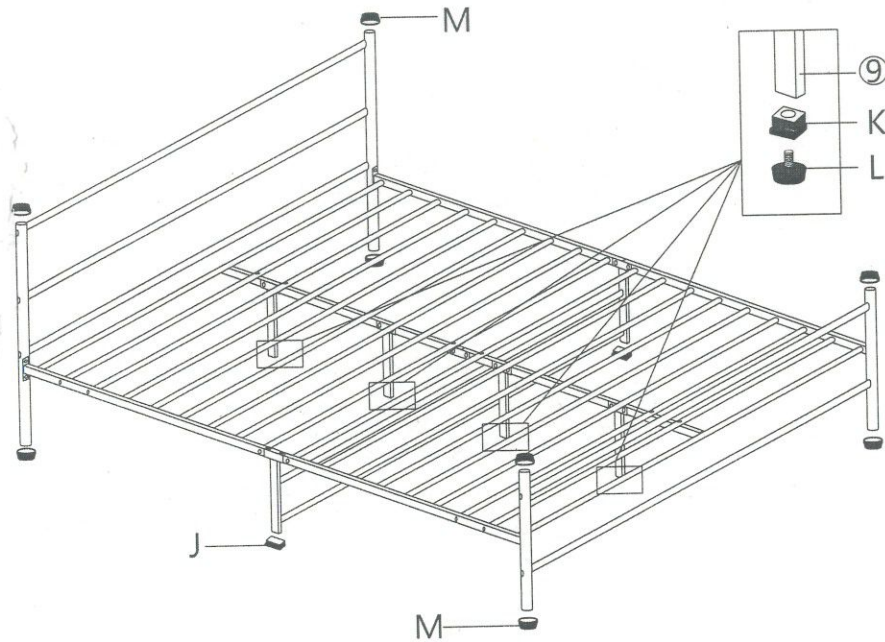


5

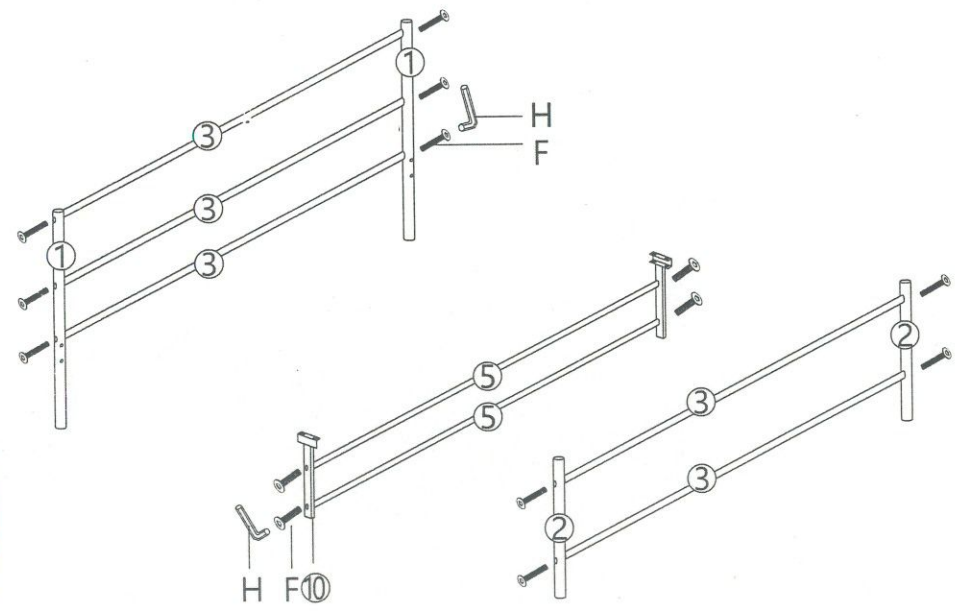


6

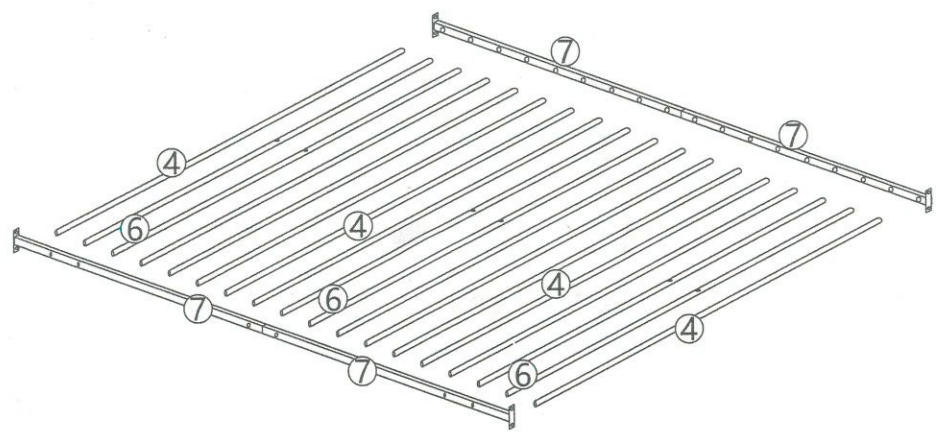


① x2	② x2	③ #22 x5	④ #16 x12			
⑤ #16 x2	⑥ #16 x6	⑦ x4	⑧ x2			
⑨ x4	⑩ x2	⑪ x1				
A 8*35 x8	B 8*15 x8	C 6*50 x4	D 6*45 x6	E 6*30 x10	F 6*20 x26	G x20
H #4 x1	I #5 x1	J x2	K x4	L x4	M x8	

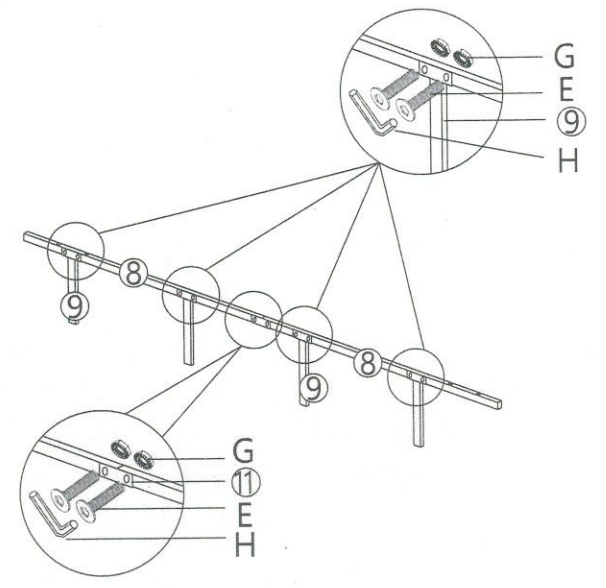
1



2



3



4

